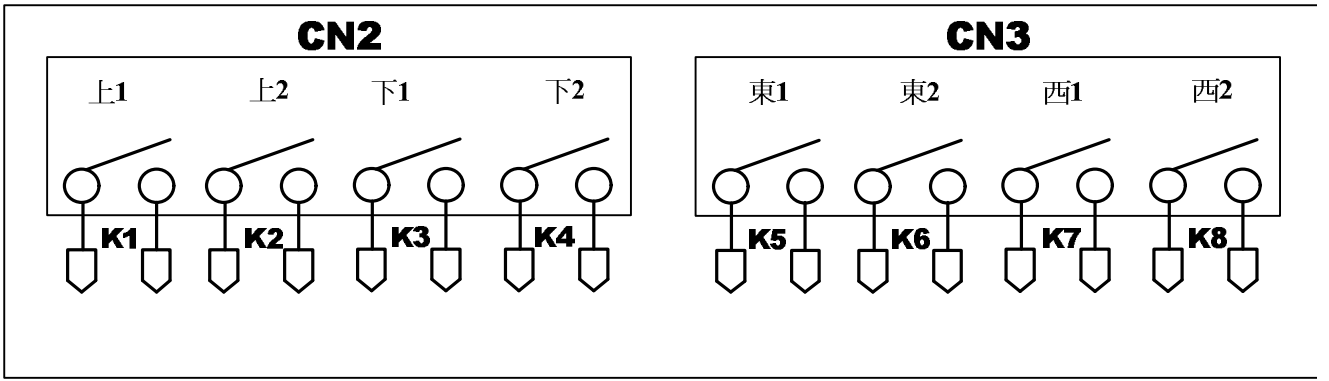
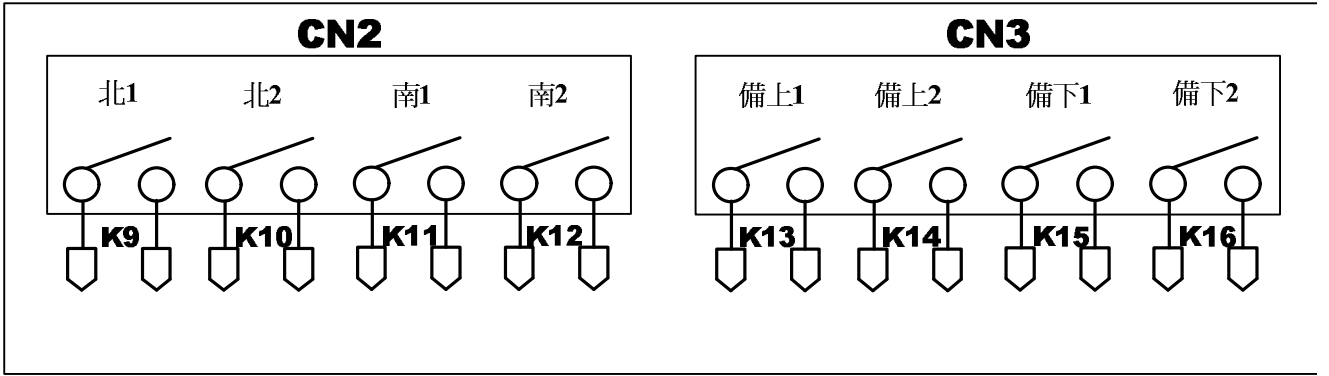


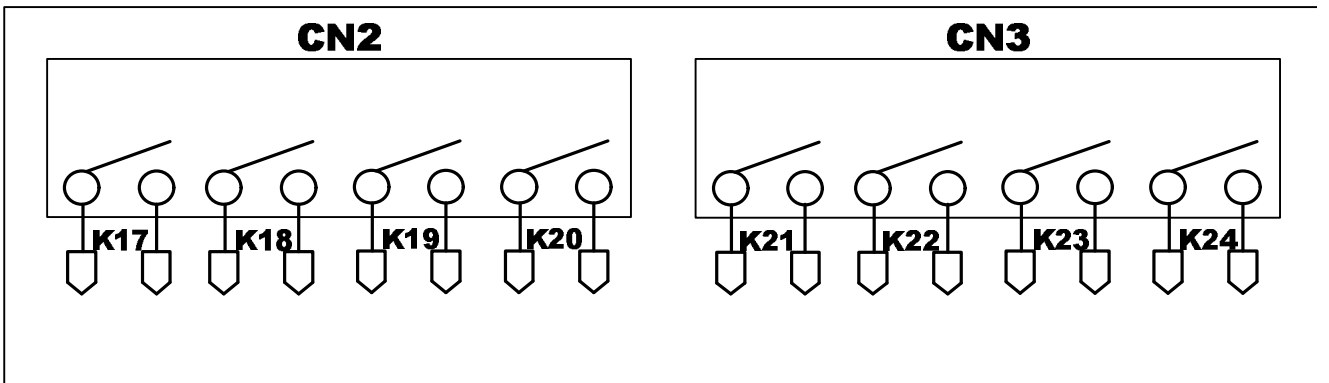
**Relay Card 1**



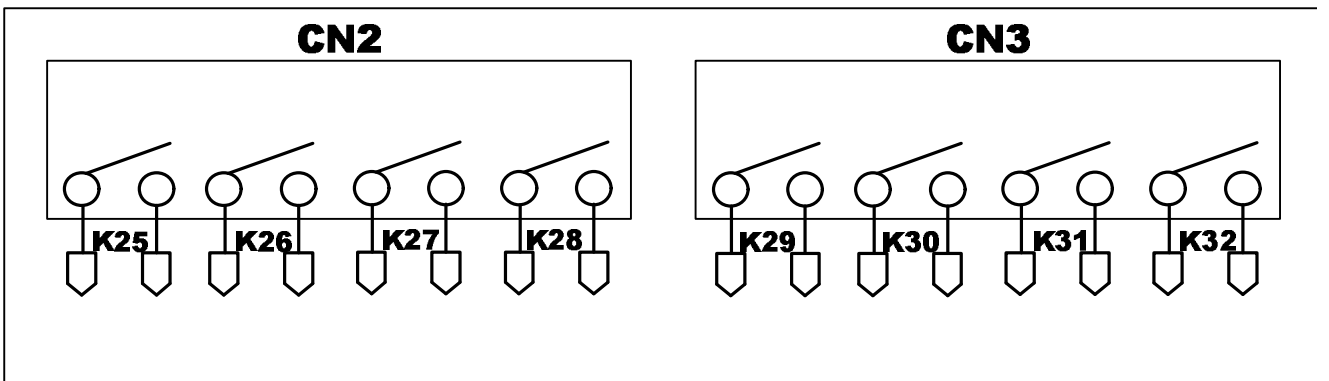
**Relay Card 2**



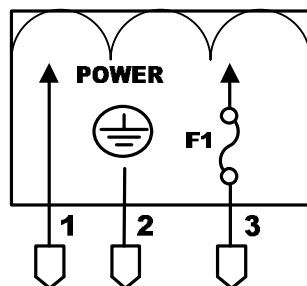
**Relay Card 3**



**Relay Card 4**



**POWER MODULE**



**MAIN RELAY**

